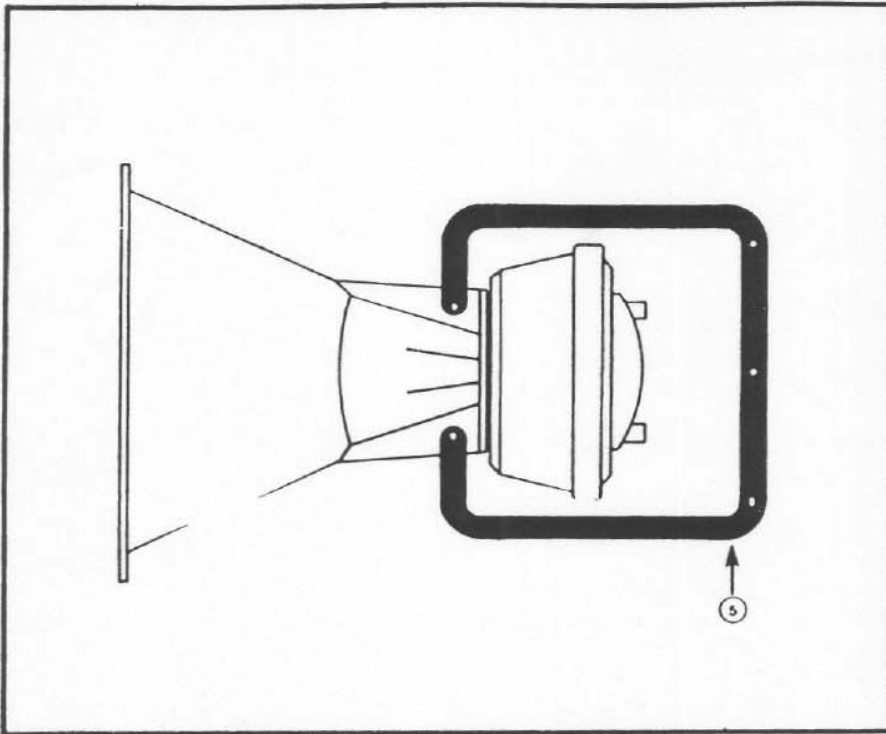


**Electro-Voice<sup>®</sup>**

a MARK IV company



## Model HMK-3 Horn Mount Accessory Kit

**SPECIFICATIONS****Material:**

10 gauge steel

**Finish:**

Black paint

**Net Weight:**

0.5 kg (1.1 lb)

**Shipping Weight:**

0.7 kg (1.5 lb)

**DESCRIPTION**

The HMK-3 horn mount accessory kit offers an alternative mounting arrangement for horn and driver combinations. This is especially

useful in large horn cluster systems, as the C-bracket provides mounting points behind the center of gravity of the horn and driver. The HMK-3 can be used with the DH1/DH2 drivers and HP series horns.

**MOUNTING**

Hardware is supplied for attaching the C-bracket to the pre-drilled holes in any of the HP series horns. Sufficient clearance makes it possible to mount, or remove, either the DH1 or DH2 driver from the horn/C-bracket combination after it has been aligned in a cluster arrangement. Holes in the rear of the C-bracket have been provided for attaching cable.

**WARRANTY (Limited)**

Electro-Voice Accessories are guaranteed for one year from date of original purchase against malfunction due to defects in workmanship and materials. If such malfunction occurs, unit will be repaired or replaced (at our option) without charge for materials or labor if delivered prepaid to the proper Electro-Voice service facility. Unit will be returned prepaid. Warranty does not extend to finish, appearance items or malfunction due to abuse or operation under other than specified conditions, nor does it extend to incidental or consequential damages. Some states do not allow the exclusion or limitation of incidental or consequential damages, so the above exclusion may not apply to you. Repair by other than Electro-Voice or its authorized warranty service agencies will void this guarantee. A list of authorized service centers is available from Electro-Voice, Inc., 600 Cecil Street, Buchanan, MI 49107 (AC/616-695-6831); or Electro-Voice West, 8234 Doe Avenue, Visalia, CA 93291 (AC/209-651-7777). This warranty gives you specific legal rights, and you may also have other rights which vary from state to state.

Service and repair address for this product: Electro-Voice, Inc., 600 Cecil Street, Buchanan, Michigan 49107.

Specifications subject to change without notice.

**CONTENTS**

Reference No.	Part No.	Quantity	Description
1	3897-AY	4	Lock Washer
2	20023-AY	2	1/4-20 Nut
3	38669-AY	4	Washer
4	63089-CV	2	Screw
5	72199-FF	1	C-Bracket

**ELECTRO-VOICE, INC., 600 Cecil Street, Buchanan, Michigan 49107**

MANUFACTURING PLANTS AT ■ BUCHANAN, MI ■ NEWPORT, IN ■ SEVIERVILLE, TN ■ OKLAHOMA CITY, OK ■ CANANOXQUE, ONT.  
©Electro-Voice Inc. 1991 ■ Litho in U.S.A.

a MARK IV company

Part Number 530603-142